

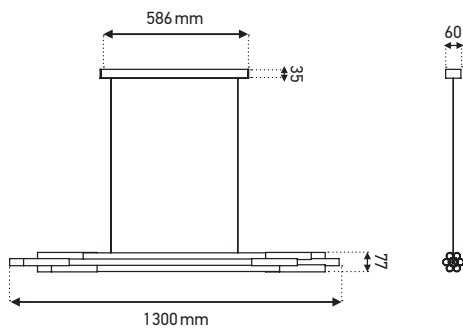
Matériaux | Materials

Corps: verre opalin, aluminium anodisé, acrylique
Câble: gainé, tressé argenté

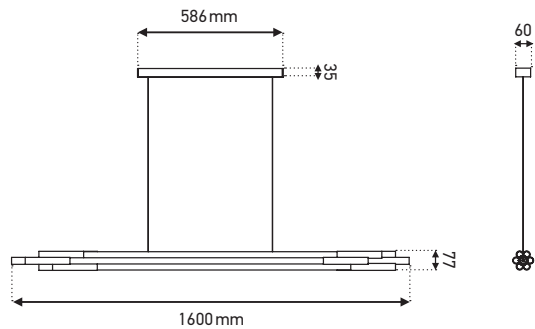
Body: opal glass, anodized aluminium, acrylic
Wire: sheathed, silver plaited

ORG P H 1300**LED-2700K-25W****CL I-IP20**

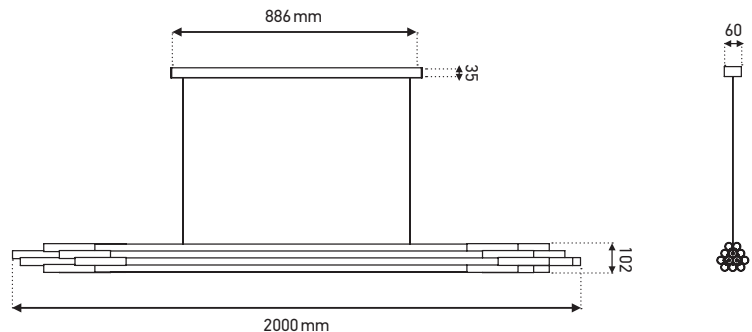
Dimmable TRIAC
 Câble de 3 m | 3 m cable
 7 Tubes Ø25 mm
 Longueur | Height: 1300 mm

**ORG P H 1600****LED-2700K-33W****CL I-IP20**

Dimmable TRIAC
 Câble de 3 m | 3 m cable
 7 Tubes Ø25 mm
 Longueur | Height: 1600 mm

**ORG P H 2000****LED-2700K-42W****CL I-IP20**

Dimmable TRIAC
 Câble de 3 m | 3 m cable
 12 Tubes Ø25 mm
 Longueur | Height: 2000 mm
 Poids | Weight: 9 kg



SUSPENSIONS VERTICALES | VETICAL PENDANT LAMPS

Matériaux | Materials

Corps: verre opalin, aluminium anodisé, acrylique
 Câble: gainé, tressé argenté

Body: opal glass, anodized aluminium, acrylic
 Wire: sheathed, silver plated

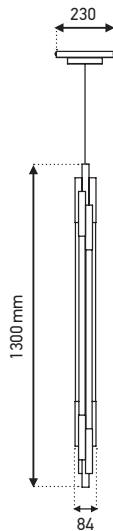
ORG P V 1300

LED-2700K-25W



CL I-IP20

Dimmable TRIAC
 Câble de 3 m | 3 m cable
 7 Tubes Ø25 mm
 Longueur | Height: 1300 mm
 Poids | Weight: 4,2 kg



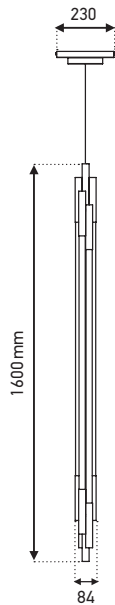
ORG P V 1600

LED-2700K-33W



CL I-IP20

Dimmable TRIAC
 Câble de 3 m | 3 m cable
 7 Tubes Ø25 mm
 Longueur | Height: 1600 mm
 Poids | Weight: 5 kg



ORG P V 2000

LED-2700K-42W



CL I-IP20

Dimmable TRIAC
 Câble de 3 m | 3 m cable
 12 Tubes Ø25 mm
 Longueur | Height: 2000 mm
 Poids | Weight: 9 kg



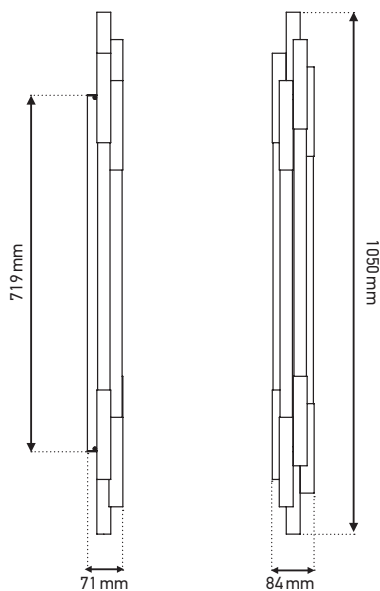
Matériaux | Materials

Corps: verre opalin, aluminium anodisé, acrylique
Câble: gainé, tressé argenté

Body: opal glass, anodized aluminium, acrylic
Wire: sheathed, silver plated

ORG W 1050**LED INTEGRATED-2700K-12W****CL I-IP20**

Dimmable TRIAC
 5 Tubes Ø25 mm
 Longueur | Height: 1050 mm
 Poids | Weight: 2,9 kg

**ORG W 1500****LED INTEGRATED-2700K-17W****CL I-IP20**

Dimmable TRIAC
 5 Tubes Ø25 mm
 Longueur | Height: 1500 mm
 Poids | Weight: 3,3 kg

